

Lumalex – Lightsource-R LED Aisle-Bay



Specifications

Electrical Specifications:

Model No.	AQHBHxxx40-CA (Warm White) AQHBxxx57-CA (Pure White)
Power	90W, 125W, 165W and 185W
LED Source	Luxeon / Cree
Input Voltage	100v – 277v, and 347v to 480v 47/63Hz
Working Temperature	-40C to +50C
Power Factor	> 0.95
Driver Efficiency	90%

Photometric Specifications:

Lumen Output	up to 26,664 lm
Lighting Effect	90W = 150lm/W 125W = 145lm/W 165W = 142lm/W
CRI	> 80 (4000K) > 70(5300K)
CCT	4000k/5300k
Dimming	0 – 10v Step Dimming

Mechanical Specifications:

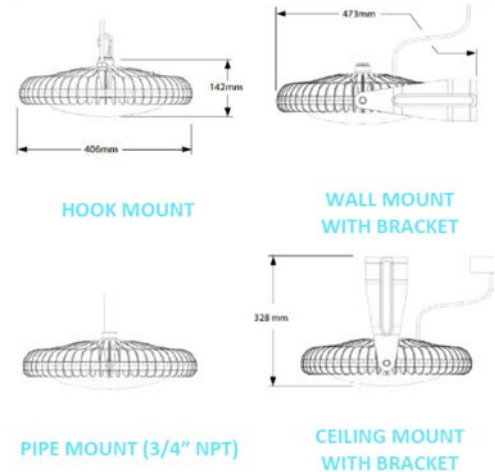
Ratings	IP66
Lifespan	L70 rated for 100,000 hours @ 25C 24/7
Housing	LM6 Marine grade, powder coated 'copper free' aluminum or Pendant Pipe
Mounting	Eye Bolt, Bracket or Pipe Mount
Cablling	3m PVC
Lens	Clear Acrylic, Polycarbonate or Diffuse Acrylic
Fixture Dimentsion	406mm dia x 142mm high, 16" dia x 5.6" high
Fixture Weight	7kg, 15.4lbs
Lifetime Testing to LM-80, 7 yr – 10 yr extended Warranty.	

Certifications:

CE Compliant
 EN60598 – Particular requirements of Luminaires
 EN62471 – Photo biological safety of lamp systems
 IP66 to EN60529 – Intrusion Protection
 IK06 to EN50102 (Acrylic lens) – Mechanical Impact Protection
 IK10 to EN50103 (Polycarbonate lens) – Mechanical Impact Protection
 IEC60068 Salt Spray testing – Severity 1 – Corrosion resistance
 DLC – Qualified Product
 ANS/UL STD 1598 UL8750
 Certificate to CSA C322.2 No 250



Mounting Options:



IES files for this fixture are available by request

Photometric Data

Colour correlated temperature: 4000K, 5300K
 Colour Rendering Index (CRI): minimum 85 (4000K), minimum 70 (5300K)
 Flux: up to 26,644 lm

Polar Plots

